

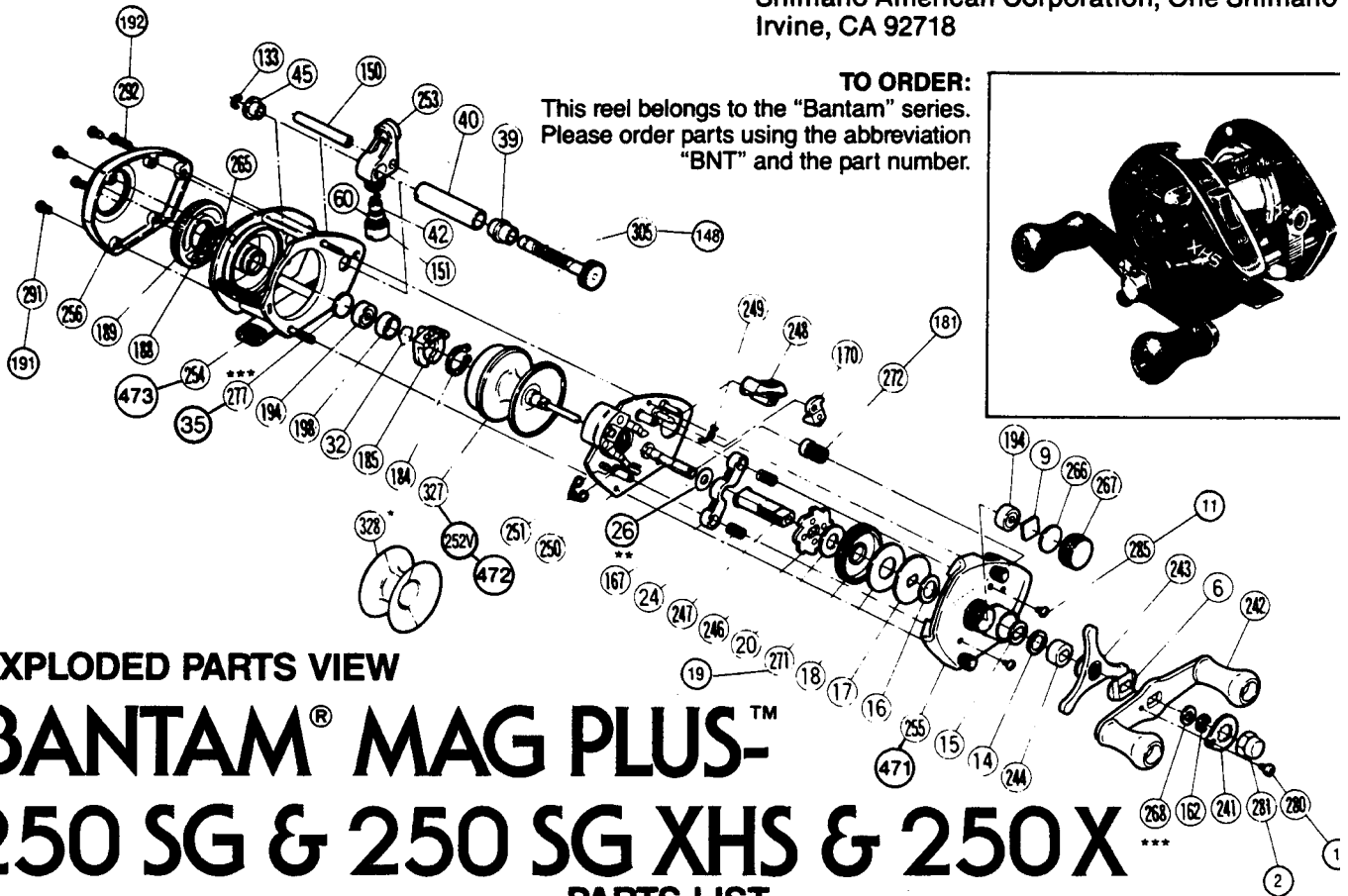
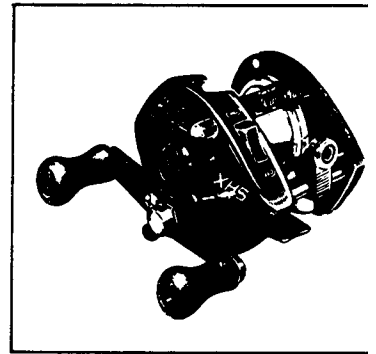
SHIMANO

1987 REPAIR MANUAL

Shimano American Corporation, One Shimano
Irvine, CA 92718

TO ORDER:

This reel belongs to the "Bantam" series.
Please order parts using the abbreviation
"BNT" and the part number.



EXPLODED PARTS VIEW

BANTAM[®] MAG PLUS[™]

250 SG & 250 SG XHS & 250 X

PARTS LIST

PART # DESCRIPTION

- 1. Handle Nut Lock Screw
- 2. Handle Nut
- 6. Friction Washer
- 9. Cast Control Spacer
- 11. Side Plate Screw
- 14. Drag Spring Washer
- 15. "D" Washer
- 16. Drag Spacer
- 17. Pressure Plate
- 18. Drag Washer
- 19. Drive Gear (Std.)
- 20. Base Drag Washer
- 24. Pinion Yoke Spring
- 26. Drive Shaft Shim**
- 32. Bearing Lock
- 35. Bearing Spacer(Brass)
- 39. Level Wind Bearing Right
- 40. Level Wind Guard
- 42. Level Wind Pawl
- 45. Level Wind Bearing Left
- 60. Pawl Shim (optional)
- 133. Level Wind Gear Lock
- 148. Level Wind Gear (Std.)
- 150. Stabilizer Bar
- 151. Pawl Cap

PART # DESCRIPTION

- 162. "C" Lock
- 167. Pinion Yoke
- 170. Anti Reverse Dog
- 181. Pinion Gear (Std.)
- 184. Magnet Retainer Lock
- 185. Magnet Retainer
- 188. O Ring
- 189. Magnetic Control Dial
- 191. Side Plate Screw
- 192. Stabilizer Bar Screw
- 194. Spool Shaft Bearing
- 198. Bearing Spacer
- 241. Handle Nut Lock Plate
- 242. Handle
- 243. Drag Tri-Star
- 244. Drive Shaft Bearing
- 246. Anti Reverse Ratchet
- 247. Drive Shaft
- 248. Anti Reverse Switch
- 249. Switch Spring
- 250. Set Plate
- 251. Retractor Spring
- 252V. V-Spool (Old Style)
- 253. Line Guide

PART # DESCRIPTION

- 254. Frame
- 255. Right Side Plate
- 256. Left Side Plate
- 265. Thrust Washer
- 266. Right Bearing Spacer
- 267. Cast Control Cap
- 268. Drive Shaft Shim***
- 271. Drive Gear (XHS)
- 272. Pinion Gear (XHS)
- 277. Bearing Spacer(Fiber)
- 280. Handle Nut Lock Screw (Black)
- 281. Handle Nut (Black)
- 285. Side Plate Screw (Black)
- 291. Side Plate Screw (Black)
- 292. Stabilizer Bar Screw (Black)
- 305. Level Wind Gear (XHS)
- 327. Spool (Lg. Capacity Convertible)
- 328. V-Spool Converter *
- 471. Right Side Plate(250 X)
- 472. V-Spool (250 X)
- 473. Frame (250 X)

Prices and specifications subject to change without notice.